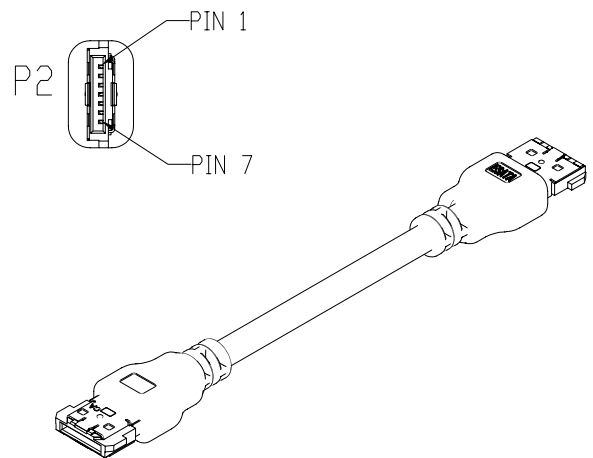
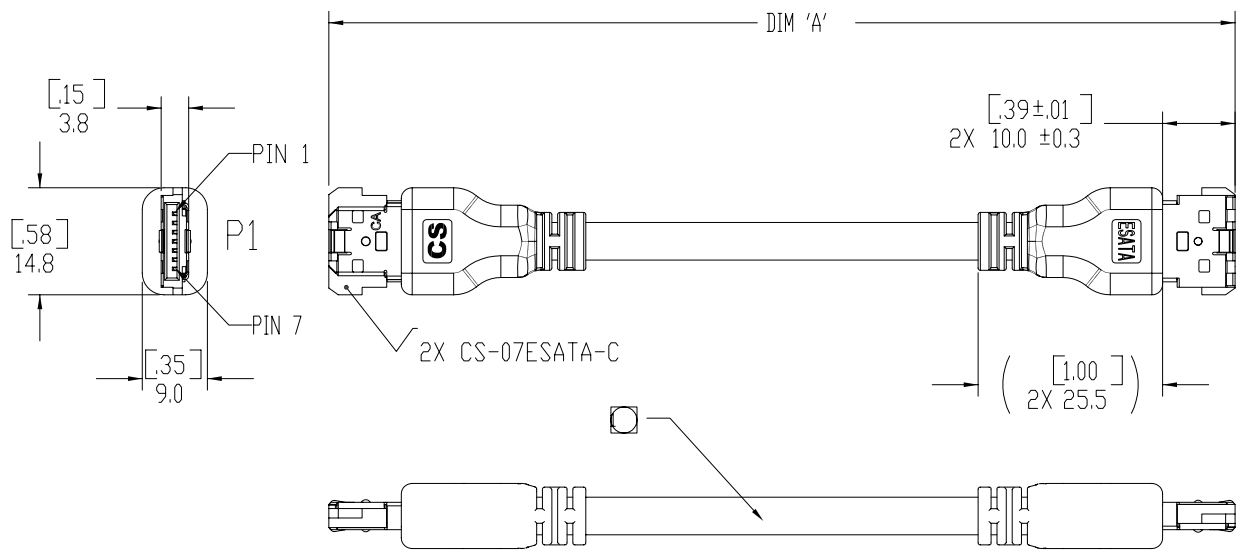
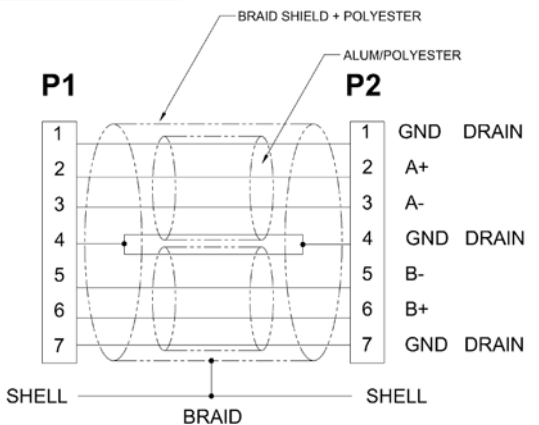


PART NO. CS-U709045-01.0

REVISIONS			
LTR	DESCRIPTION	DATE	APPROVED



**WIRING DIAGRAM :**



**ORDERING NOMENCLATURE**

CS - U709045-01.0

EXTERNAL SERIAL ATA  
CABLE ASSEMBLY

DIM 'A' IN METERS  
01.0 = STANDARD

**TOLERANCE TABLE :**

CABLE LENGTH	TOLERANCE (IN METERS)
.1M - .9M	± .025M
1M - 2M	± .051M

④ CONSULT FACTORY FOR ADDITIONAL CABLE LENGTHS

3. ELECTRICAL CHARACTERISTICS  
 IMPEDANCE: 100 ± 15 OHMS  
 ATTENUATION: 8 dB MAX, 10MHz - 4500MHz  
 NEXT: -26 dB MAX, 10MHz - 4500MHz  
 INTRA-PAIR SKEW: 20 PS MAX

2. CONNECTOR  
 REFER TO DRAWING NO. 610315

① CABLE :  
 CABLE IMPEDANCE: 100 ± 10 OHMS ± 5 OHMS  
 CABLE PAIR MATCHING IMPEDANCE:  
 USE CS APPROVED SATA CABLE SOURCES  
 OD: 5.5± 0.5 MM; JACKET COLOR: BLACK  
 OVERMOLD: PVC 45P, COLOR: BLACK

NOTES: UNLESS OTHERWISE SPECIFIED

DIMENSIONS ARE IN MILLIMETERS  
 TOLERANCES ARE:  
 DECIMALS .XX ±.03 ANGLES ±3°  
 .XXX ±.010  
 DO NOT SCALE DRAWING

APPROVALS	DATE
DRAWN	
CHECKED	

<b>cpustuff.com</b>			
CABLE ASSEMBLY - EXTERNAL SATA CS-D07ESATA			
SIZE	CODE IDENT NO.	DRAWING NO.	REV.
C	52072	U709045	A
SCALE: 5:1		SHEET 1	IDF