

| REVISIONS | | | |
|-----------|-------------|------|----------|
| LTR | DESCRIPTION | DATE | APPROVED |
| | | | |

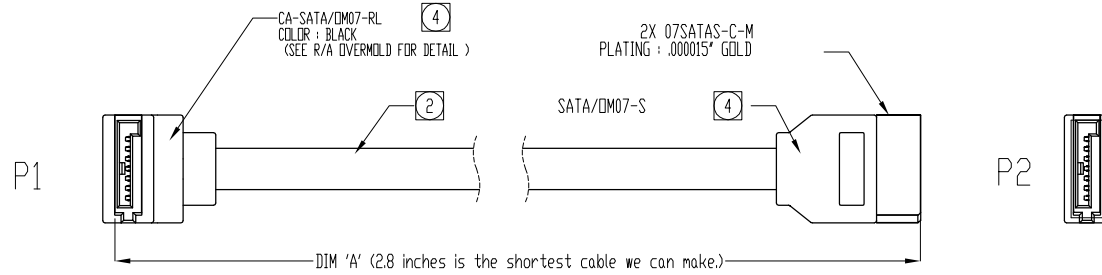
CABLE ASSEMBLY
SERIAL ATA

ORDERING NOMENCLATURE

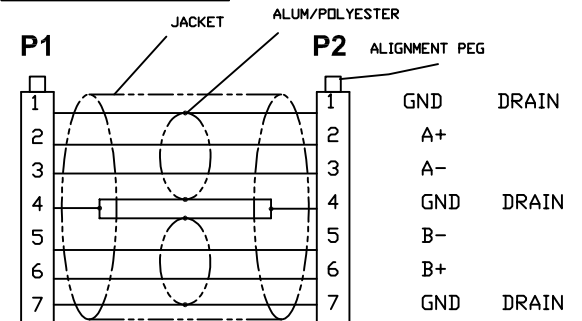
CSATASR - XX

dimension is in inches

CSATASR-XX STRAIGHT TO RIGHT ANGLE (KEY IN) SHOWN

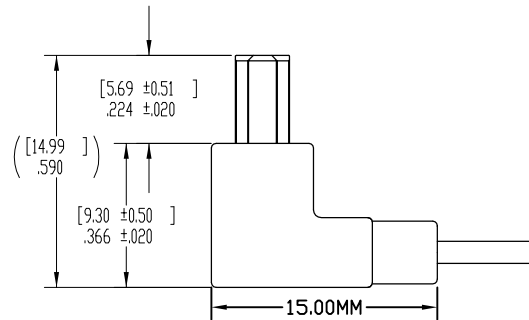


WIRING DIAGRAM :



- 6. MEETS THE REQUIREMENTS OF THE SERIAL ATA II (SATA II) STANDARD.
- 5. MEETS THE REQUIREMENTS OF DIRECTIVE 2002/95/EC OF THE EUROPEAN PARLIAMENT AND OF THE COUNCIL OF 27 JANUARY 2003 ON THE RESTRICTION OF THE USE OF CERTAIN HAZARDOUS SUBSTANCES IN ELECTRICAL AND ELECTRONIC EQUIPMENT (ROHS).

- ④ OVERMOLD COLOR (SEE ORDERING NOMENCLATURE)
- 3. VOLTAGE RATING : 30V
- ② RECOMMENDED SERIAL ATA CABLE SOURCES :
SPACE SHUTTLE
DerAn
OR APPROVED EQUIVALENT
- ① TOLERANCE OF CABLE LENGTH :



RIGHT ANGLE OVERMOLD VIEW
SCALE : 4 : 1

| DIM 'A' | TOLERANCE |
|---------------|-----------|
| 0.07M - 0.5M | ±.025M |
| 0.51M - 1.00M | ±.05M |
| 1.01M-3.00M | ±.08M |

NOTES : UNLESS OTHERWISE SPECIFIED

| | | | | | |
|---|-------------------------------|----------------------------|---|-----------|--------------|
| DIMENSIONS ARE IN INCHES TOLERANCES ARE: DECIMALS .XX ±.50 .XXX ±.25 ANGLES ±3° DIMENSIONS IN BRACKETS (X.XX) ARE IN MILLIMETERS TOLERANCES ARE: DECIMALS .X ±.127 .XX ±.64 DO NOT SCALE DRAWING | APPROVALS DRAWN CHECKED | DATE 5-29-07 5-29-07 | cpustuff.com CABLE ASSEMBLY - SATA SERIES D07SATAS-XXX-"ROHS COMPLIANT" | | |
| | SIZE C | CODE IDENT NO. | DRAWING NO. | REV. A | SHEET 1 OF 1 |