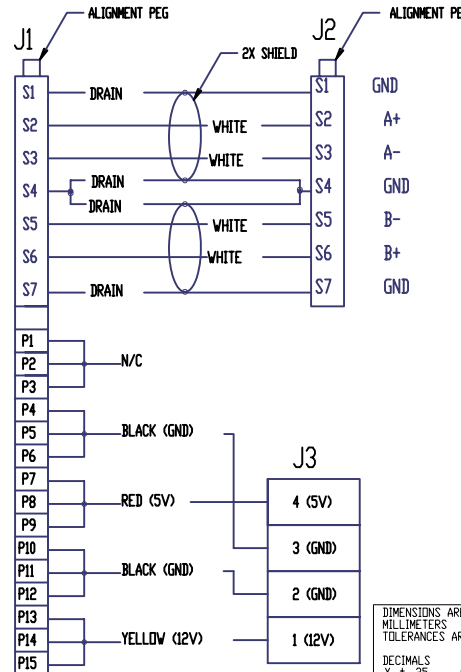
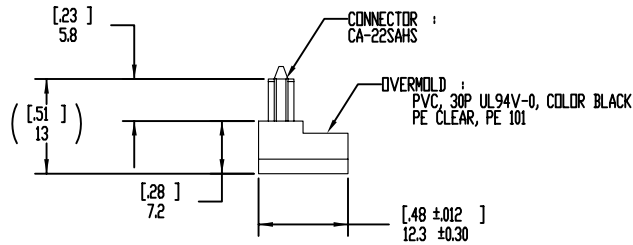
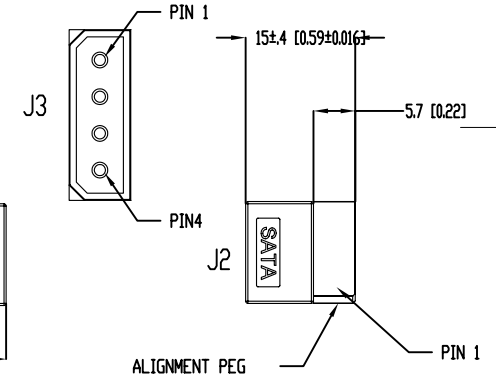
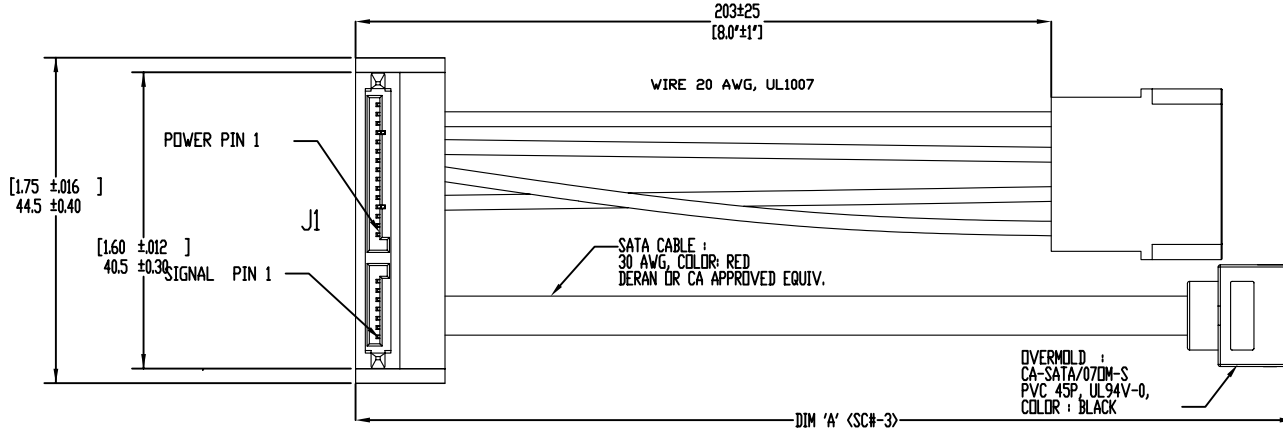


PART NO. 22SATAR

REVISIONS			
LTR	DESCRIPTION	DATE	APPROVED



SERIAL ATA CABLE ASSEMBLY 22SATAR

2. ELECTRICAL SPECIFICATIONS :
- CABLE MUST PASS CONTINUITY TEST.
  - INSULATION RESISTANCE: 20M Ω MIN.
  - CONDUCTOR RESISTANCE : 2 Ω MAX.
  - HI-VOLTAGE: 300V DC/0.1 SEC.

1. MEETS THE REQUIREMENTS OF DIRECTIVE 2002/95/EC OF THE EUROPEAN PARLIAMENT AND OF THE COUNCIL OF 27 JANUARY 2003 ON THE RESTRICTION OF THE USE OF CERTAIN HAZARDOUS SUBSTANCES IN ELECTRICAL AND ELECTRONIC EQUIPMENT (RoHS).

NOTES : UNLESS OTHERWISE SPECIFIED

DIMENSIONS ARE IN MILLIMETERS TOLERANCES ARE: DECIMALS X ± .25 ANGLES ± 3° .XX ± .13 DIMENSIONS IN BRACKETS (XXX) ARE IN INCHES TOLERANCES ARE: DECIMALS .XX ± .010 ANGLES ± 3° .XXX ± .005 DO NOT SCALE DRAWING	APPROVALS DRAWN _____ CHECKED _____	DATE 07-18-08 07-18-08	<b>Cpu Stuff</b> sales@cpustuff.com - 949-713-9070	
	<b>CABLE ASSEMBLY - SATA SERIES</b> <b>22 PIN SATA CABLE ASSEMBLY 0.5</b> <b>RIGHT ANGLE 'ROHS COMPLIANT'</b>			SIZE C SCALE: 2 : 1