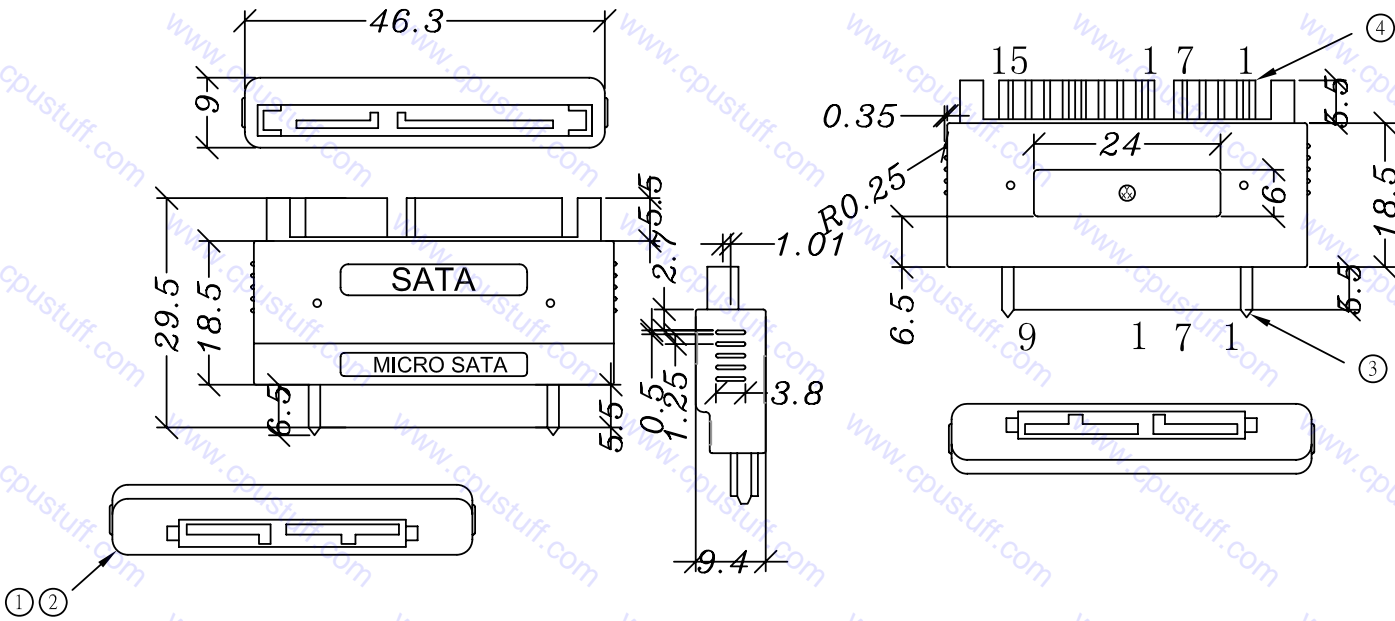
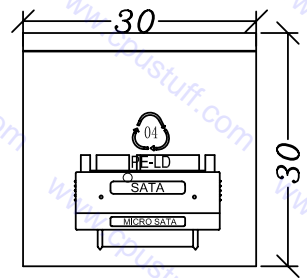


ECN NO.	DESCRIPTION	DATE	REV.	APPROVED



ELECTRICAL PROPERTIES:
 1:100% OPEN SHORT MIS-WIRE TEST
 2:Contact Resistance:10ohm
 3:Insulation Resistance:5Mega ohm
 4:Hipot test: DC300v/10ms

www.cpustuff.com
MSF22M



NO.	MATERIAL & SPECIFICATION	Q'TY
4	SATA-7+15P Male Terminal 3U" PH1.27MM	1
3	SATA-7+7+2P Terminal 3U" PH1.27MM	1
2	OUTMOLDING:PVC 45P BLACK	0.0032kg
1	PE INSIDE MOLDING	0.0018kg

CUSTOMER		APPROVAL	WK ZHONG 061012	DWG NO.	7+15 M TO 7+7+2 F	REV.
PROJECTION ⊙	TOLERANCE .0___±0.20 .00___±0.10	CHECKAGE	DL LI 061012	ITEM	MSF22M	A/0
		CHECKAGE	DL WANG 061012			
UNITS MODEL	mm A4	ANGLE .0___±2°	DRAWER	CUSTOMER USE		SHEET 1/1

www.cpustuff.com