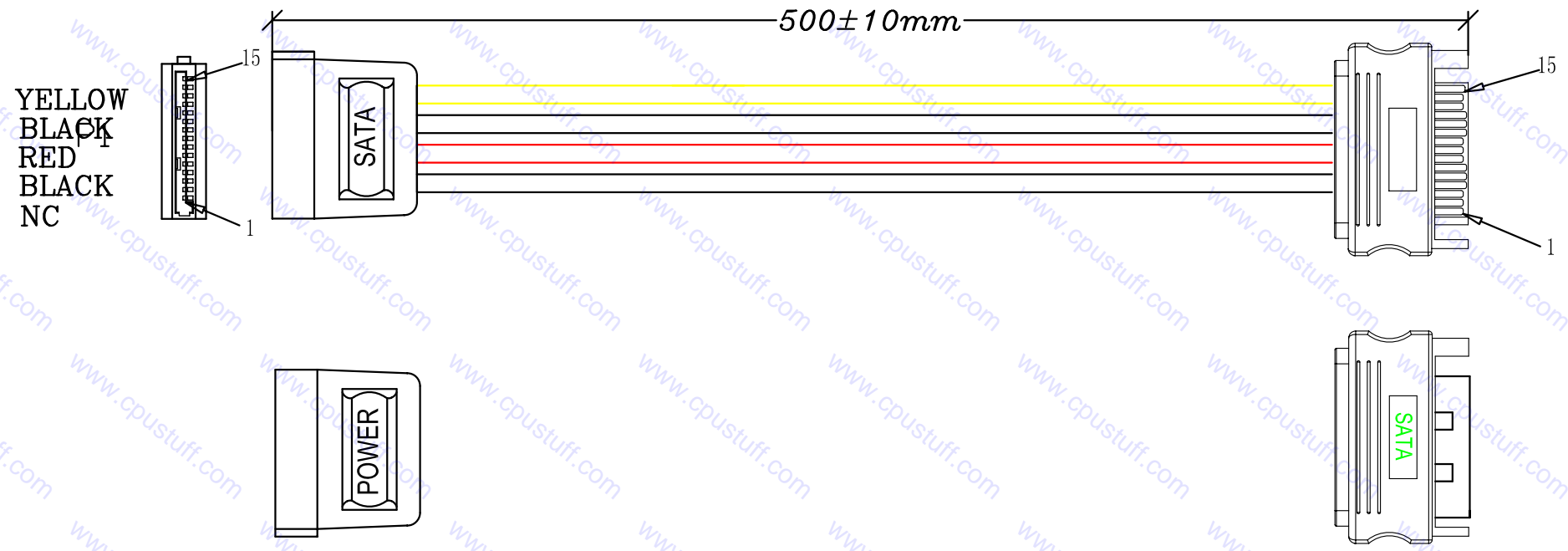


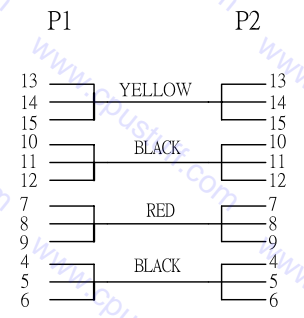
ECN NO.	DESCRIPTION	DATE	REV.	APPROVED



YELLOW  
BLACK  
RED  
BLACK  
NC

ELECTRICAL PROPERTIES:  
 1:100% OPEN SHORT MIS-WIRE TEST  
 2:Contact Resistance:10ohm  
 3:Insulation Resistance:5Mega ohm  
 4:Hipot test: DC300v/10ms

PIN OUT



7	SATA-15P	TERMINAL PH1.27MM	MALE
6	SATA-15P	TERMINAL PH1.27MM	FEMALE
5	PE	INSIDE MOLDING	
4	OUTMOLDING:	PVC 45P BLACK (501N)	
3	UL1007	18AWG CABLE	RED104N
2	UL1007	18AWG CABLE	YELLOW205N
1	UL1007	18AWG CABLE	BLACK501N

CUSTOMER		PROJECTION	TOLERANCE	APPROVAL	DWG NO.	REV.
BY			.0 ±0.20	CHECKAGE		A/0
MODEL		mm	.00 ±0.10	CHECKAGE	ITEM	SHEET
A4		ANGLE	.0 ±2°	DRAWER	SATA 7+15P (f)对7+15 (m) L=500MM	1/2
		SCALE		ISSUE USE		
					ISSUE USE	

sales@cpustuff.com