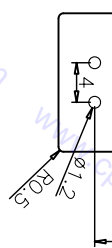
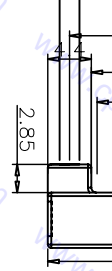
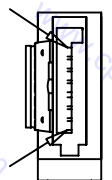
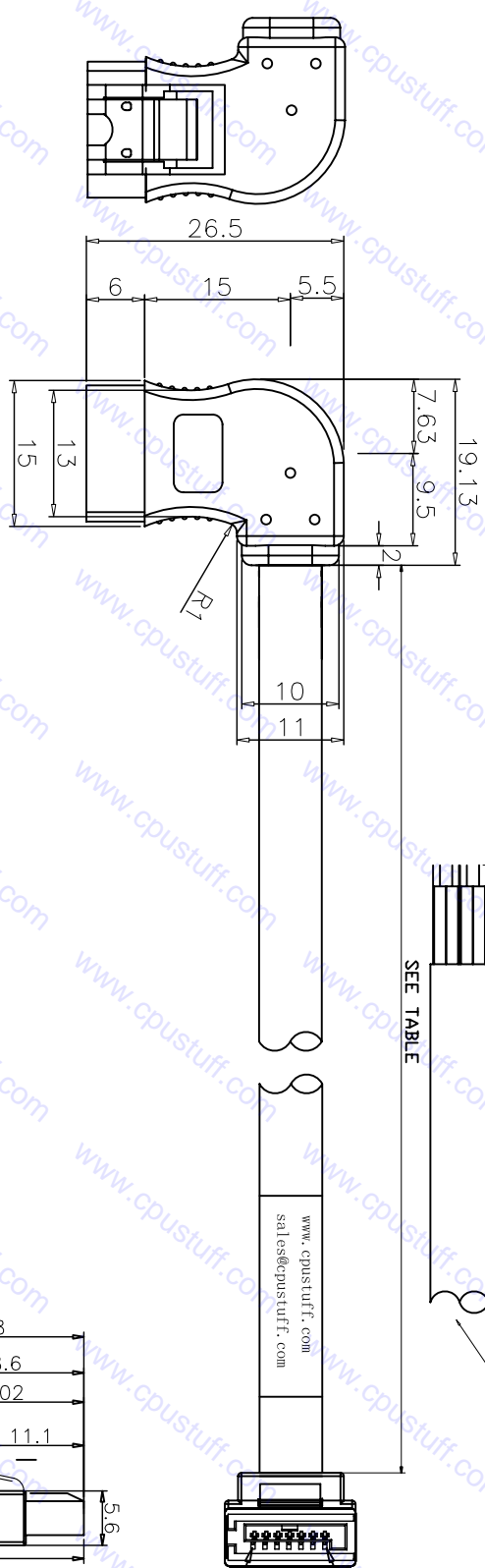


左/右弯模截线 去皮尺寸！
SEE TABLE

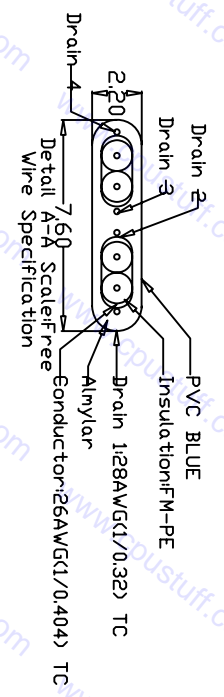


ROHS



NOTE: cable test conditions EX:
 a. Insulation resistance: 100M
 b. Conductive resistance: 50hm MAX
 c. Voltage pressure-proof test: AC-350V/1Sec
 d. Mated Connector Impedance: 100 ohms+/-15%
 e. Cable Absolute Impedance: 100 ohms+/-10%
 f. Cable Pair Matching: +/-5 ohms
 g. Common Mode Impedance: 25 to 40 ohms
 h. Insertion Loss: 10 MHz to 4.5 GHz; 6db max
 i. Crosstalk: NEXT: 10 MHz to 4.5 GHz; -26db max
 j. Rise Time: 85 ps max with 25-35ps input differential
 k. Intra-pair Skew: 20 ps Max
 l. Insertion force: 45N max
 m. Removal force: 10N min

PIN OUT	PIN IN
1 GND	1
2	2
3 GND	3
4 GND	4
5 GND	5
6	6
7 GND	7
8	8



CUSTOMER	PROJECTION	TOLERANCE	APPROVAL	DWG NO.	REV.
		0.00 ±0.10	CHECKAGE	SATA7P/F	A/0
		ANGLE ±2°	CHECKAGE	ITEM	SHEET
			SCALE		1/1

4	outer membrane	45P	BLACK<501N>
3	PE INSIDE MOLDING		
2	SATA CLBLE UL2725 26#(4/0.404TC+4/0.32TC)+AL	DD:7.5*2.1MM	BLUE
1	SATA-7PFEMALE TERMINAL 1U PH1.27MM		

UNITS	MODEL	BY
mm	A4	BY

ECN NO.	DESCRIPTION	DATE	REV.	APPROVED

8"	10"	18"
线长205mm ±10MM	线长250mm ±10MM	线长460mm ±10MM
裁线240mm	裁线285mm	裁线495mm