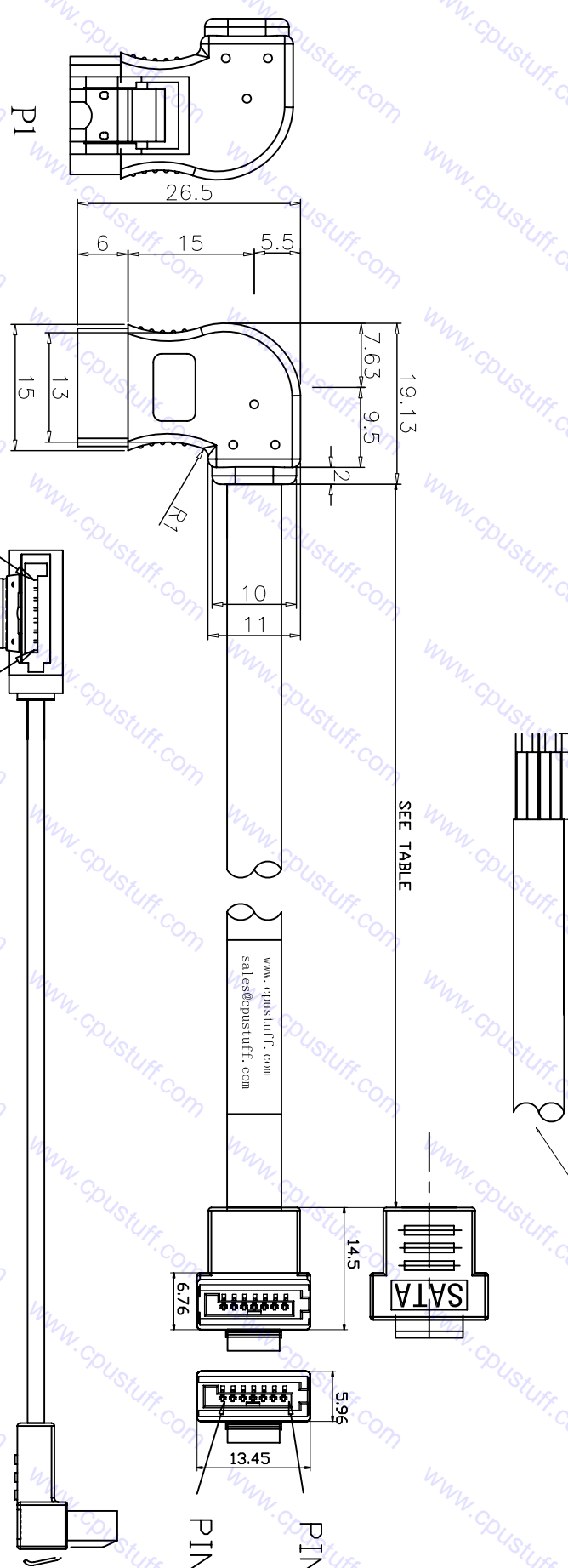


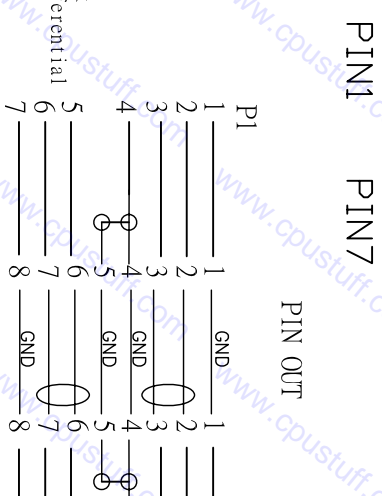


ECN NO.	DESCRIPTION	DATE	REV.	APPROVED

ROHS

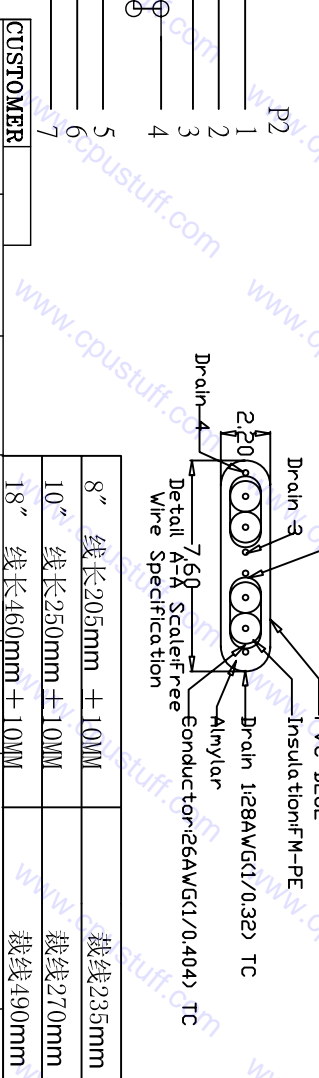


- NOTE: cable test conditions EX:
- a. Insulation resistance: 100M
 - b. Conductive resistance: 50hm MAX
 - c. Voltage pressure-proof test: AC-350V/1Sec
 - d. Mated Connector Impedance: 100 ohms +/- 15%
 - e. Cable Absolute Impedance: 100 ohms +/- 10%
 - f. Cable Pair Matching: +/- 5 ohms
 - g. Common Mode Impedance: 25 to 40 ohms
 - h. Insertion Loss: 10 MHz to 4.5 GHz: 6dB max
 - i. Crosstalk: NEXT: 10 MHz to 4.5 GHz: -26dB max
 - j. Rise Time: 85 ps max with 25-35ps input differential
 - k. Intra-pair Skew: 20 ps Max
 - l. Insertion force: 45N max
 - m. Removal force: 10N min



4	outer membrane	45P	BLACK(50IN)
3	PE INSIDE MOLDING		
2	SATA CLBLE UL2725 26#(4/0.404TC+4/0.32TC)+AL	DD:7.5*2.1MM	BLUE
1	SATA-7P FEMALE TERMINAL 1U PH1.27MM		

PROJECTION	TOLERANCE	APPROVAL	DWG NO.	REV.
	0.0 ±0.20	CHECKAGE	SATA7P/F	A/0
ANGLE	0.0 ±0.10	CHECKAGE	ITEM	SHEET
UNITS	mm	DRAWER	裁线235mm	1/1
MODEL	A4	SCALE		
BY				



CUSTOMER	8" 线长205mm ± 10MM	裁线235mm
	10" 线长250mm ± 10MM	裁线270mm
	18" 线长460mm ± 10MM	裁线490mm