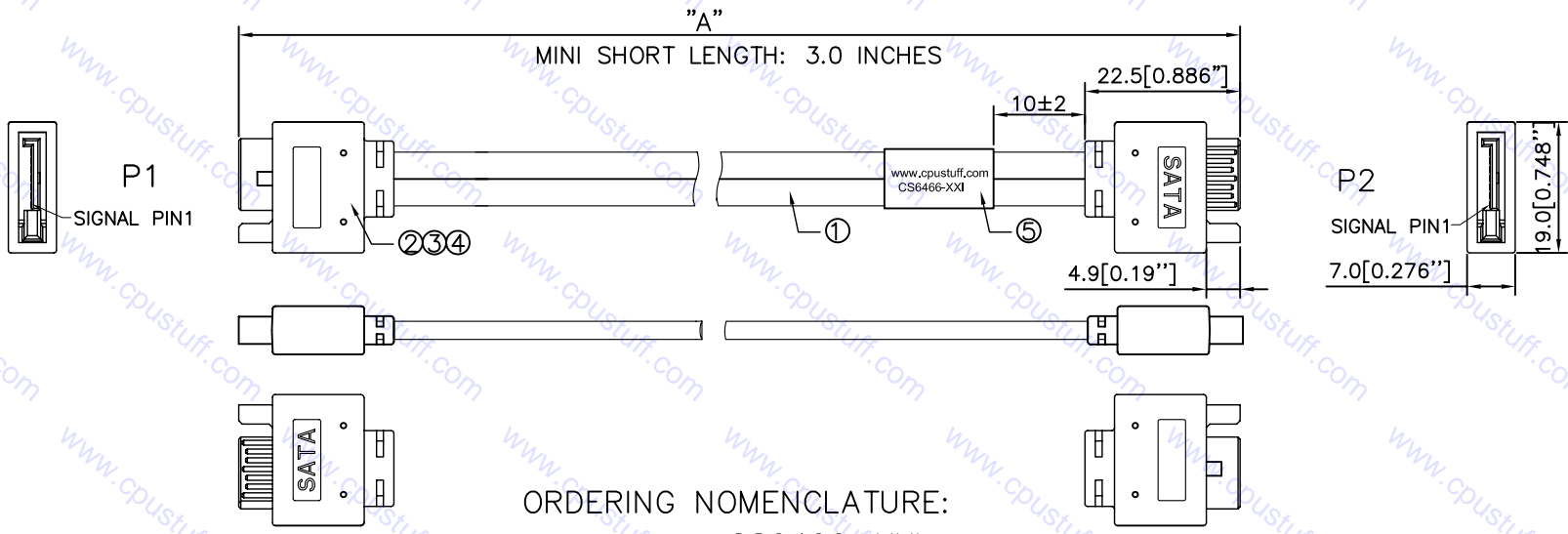


P/N	CS6466-XXI	REV.	X1	DESCRIPTION	Initial Release	D.O.	N/A	APPD.	
-----	------------	------	----	-------------	-----------------	------	-----	-------	--

A
B
C
D
E



ORDERING NOMENCLATURE:
CS6466-XXI

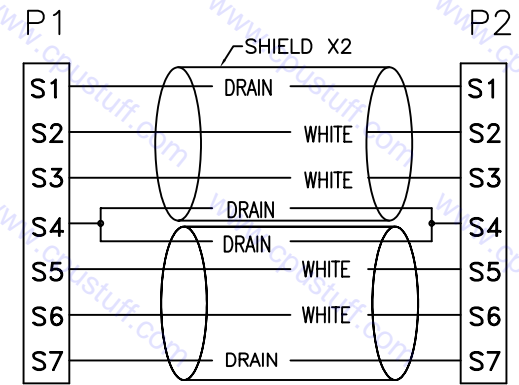
LENGTH ———
DIM 'A' IN INCHES
TOLERANCES: 03" ~ 12" ±0.5"
13" ~ 40" ±1"
41" ~ 80" ±2"
> 81" ±3"

- ELECTRICAL SPECIFICATION:
- 1.OPEN/SHORT 100% TEST PASS.
 - 2.INSULATION RESISTANCE: 20MΩ MIN.
 - 3.CONDUCTOR RESISTANCE: 2Ω MAX.
 - 4.HI-VOLTAGE: 300V DC/0.1 SEC.

NOTES : UNLESS OTHERWISE SPECIFIED

1. MEETS THE REQUIREMENTS OF DIRECTIVE 2002/95/EC OF THE EUROPEAN PARLIAMENT AND OF THE COUNCIL OF 27 JANUARY 2003 ON THE RESTRICTION OF THE USE OF CERTAIN HAZARDOUS SUBSTANCES IN ELECTRICAL AND ELECTRONIC EQUIPMENT. (ROHS)

WIRING DIAGRAM



5	1	LABEL	LABEL: www.cpustuff.com CS6466-XXI
4		PVC	PVC 45P, UL 94V-0, COLOR: BLACK.
3		PE	PE CLEAR.
2	2	CONNECTOR	SATA 7P PLUG. PIN GOLD PLATED 15u", MOLD TYPE.
1		CABLE	UL 20276 [26AWG (1/0.40TA) * 2C +A2E] * 2F, OD=2.08 * 7.8mm, TRANSLUCENT RED JACKET.
ITEM	QTY	P/N	DESCRIPTION

MILLIMETERS	INCH	UNITS	MM	NAME(INTENDED USE)	Cpu Stuff sales@cpustuff.com 949-713-9070
X.± 2"	X.± 2"	MAT'L		SATA 7P PLUG TO 7P PLUG CABLE ASS'Y	TITLE: SATA 7P PLUG CABLE ASS'Y
.X± 0.3	.X± .012				
.XX± 0.15	.XX± .006	FINISH		PART NO.(INTENDED USE) CS6466-XXI	DWG NO.: CSH709305
.XXX± ----	.XXX± ----				
		Q'TY		APPD: 06/09/10'	
				CHKD: 06/09/10'	
				DR: 06/09/10'	
					SCALE SHEET REV. NONE 1/1 X1

A	1	2	3	4	5	6	7
---	---	---	---	---	---	---	---