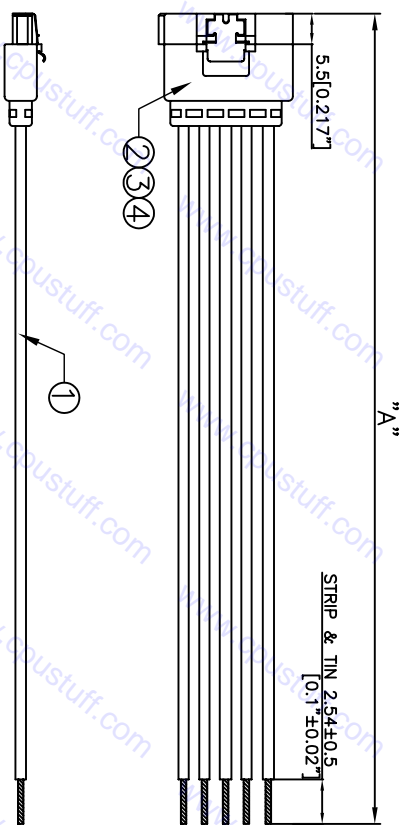
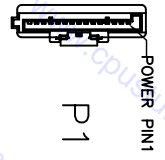
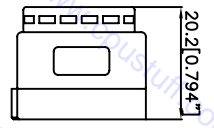


P/N: CS6329-XX.XX



OPEN

| REV. | DESCRIPTION     | D.O. | APPD. |
|------|-----------------|------|-------|
| X1   | Initial Release | N/A  | Roy   |

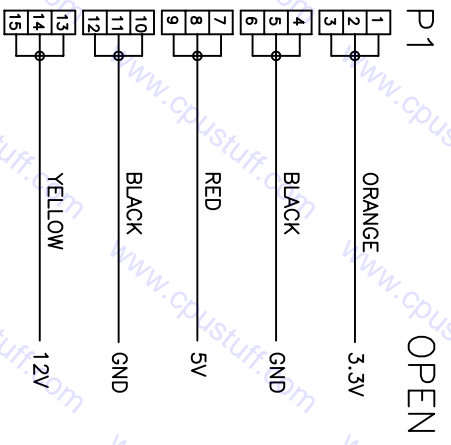
ORDERING NOMENCLATURE:  
CS6329-XX.XX

LENGTH \_\_\_\_\_

DIM 'A' IN INCHES

TOLERANCES: 04.00" ~ 12.00" ±0.50"  
 13.00" ~ 40.00" ±1.00"  
 41.00" ~ 80.00" ±2.00"  
 > 81.00" ±3.00"

WIRING DIAGRAM



- NOTES : UNLESS OTHERWISE SPECIFIED
1. MEETS THE REQUIREMENTS OF DIRECTIVE 2002/95/EC OF THE EUROPEAN PARLIAMENT AND OF THE COUNCIL OF 27 JANUARY 2003 ON THE RESTRICTION OF THE USE OF CERTAIN HAZARDOUS SUBSTANCES IN ELECTRICAL AND ELECTRONIC EQUIPMENT. (ROHS)

ELECTRICAL SPECIFICATION:

1. OPEN/SHORT 100% TEST PASS.
2. INSULATION RESISTANCE: 20MΩ MIN.
3. CONDUCTOR RESISTANCE: 2Ω MAX.
4. HI-VOLTAGE: 300V DC/0.1 SEC.

| ITEM | QTY | P/N       | DESCRIPTION  |
|------|-----|-----------|--|
| 1    | 1   | CONNECTOR | SATA 15PIN SOCKET, WITH LATCH, MOLD TYPE, P/N:15SASC-C-L1. |
| 2    | 1   | WIRE      | UL 1007 18AWG WIRE COLOR: BLACK, RED, GREEN, YELLOW.       |
| 3    |     | PVC       | PVC 45P, UL 94V-0, COLOR: BLACK.                           |
| 4    |     | PE        | PE CLEAR.  |

| MILLIMETERS | INCH       | UNITS  | MM |
|-------------|------------|--------|----|
| X± Z        | X± Z       | MATL   |    |
| .XX± 0.15   | .XX± .006  | FINISH |    |
| .XXX± ----  | .XXX± ---- |        |    |

|   |   |      |
|---|---|------|
| NAME (INTENDED USE)                         | Cpu Stuff                                   |      |
| SATA 15P LATCHING SOCKET TO OPEN CABLE ASSY | sales@cpustuff.com                          |      |
| PART NO. (INTENDED USE)                     |   |      |
| CS6329-XX.XX                                |   |      |
| APPD:                                       | Roy 12/25/09'                               |      |
| CHKD:                                       | Andy 12/25/09'                              |      |
| DR:   | Daniel 12/25/09'                            |      |
| TITLE:                                      | SATA 15P LATCHING SOCKET TO OPEN CABLE ASSY |      |
| DWG NO.:                                    | CSH709280                                   |      |
| SCALE                                       | SHEET                                       | REV. |
| NONE  | 1/1   | X2   |