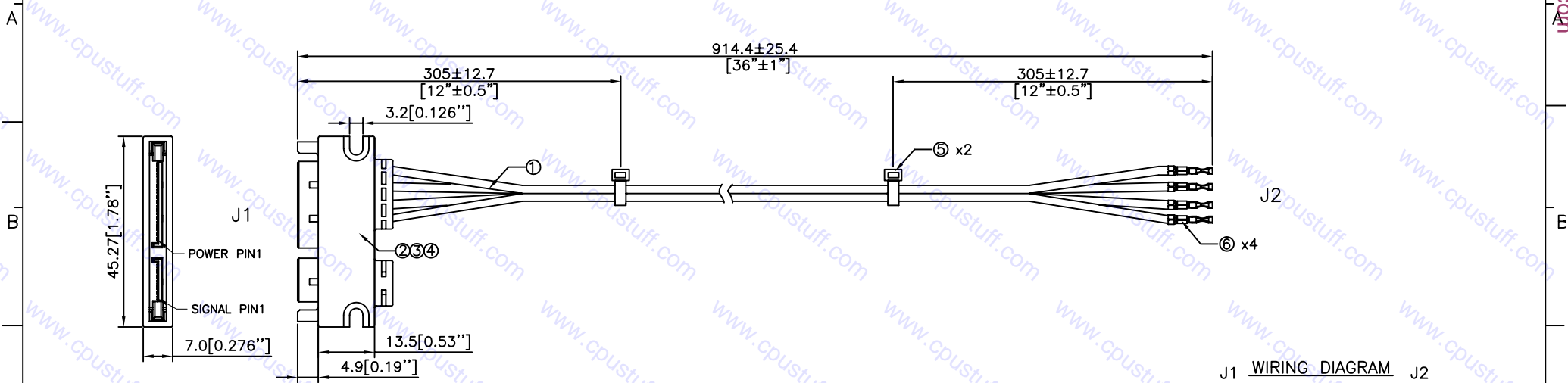


P/N	C0006064								
REV.	DESCRIPTION	D.O.	APPD.						
X1	INITIAL RELEASE	N/A	Ray						



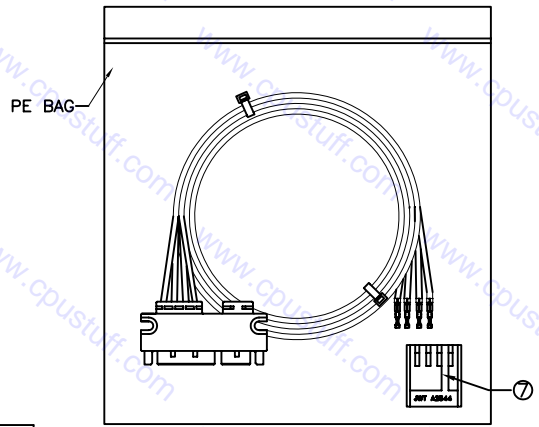
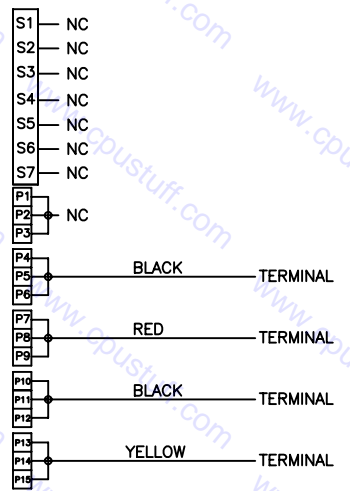
**ELECTRICAL SPECIFICATION:**

1. CABLE MUST PASS CONTINUITY TEST.
2. INSULATION RESISTANCE: 20MΩ MIN.
3. CONDUCTOR RESISTANCE: 2Ω MAX.
4. HI-VOLTAGE: 300V DC/0.1 SEC.

**NOTES : UNLESS OTHERWISE SPECIFIED**

1. MEETS THE REQUIREMENTS OF DIRECTIVE 2002/95/EC OF THE EUROPEAN PARLIAMENT AND OF THE COUNCIL OF 27 JANUARY 2003 ON THE RESTRICTION OF THE USE OF CERTAIN HAZARDOUS SUBSTANCES IN ELECTRICAL AND ELECTRONIC EQUIPMENT. (ROHS)

**J1 WIRING DIAGRAM J2**



7	1	HOUSING	4P HOUSING: PITCH=2.5MM, WHITE, NYLON 66, JWT P/N: A2544H00-4P.
6	4	TERMINAL	TERMINAL: 26 ~ 20AWG, BRASS, TIN PLATED, JWT P/N: A2544TOB-2.
5	2	TIE	CABLE TIE, 100mm, COLOR NATURAL,
4		PVC	PVC COLOR: BLACK, 30P, UL94V-0.
3		PE	PE CLEAR
2	1	CONNECTOR	SATA 22P PLUG, PIN GOLD PLATED 15u", MOLD TYPE, CA P/N: 22SAPP-C-2.
1		WIRE	UL 1007 20AWG WIRE COLOR: BLACK, RED, YELLOW.
ITEM	QTY	P/N	DESCRIPTION

MILLIMETERS	INCH	UNITS	MM	NAME (INTENDED USE)	<a href="http://www.cpustuff.com">www.cpustuff.com</a> <a href="mailto:sales@cpustuff.com">sales@cpustuff.com</a> <b>949-713-9070</b>
X. ± 2'	X. ± 2'	MAT'L		SATA 22P PLUG CABLE ASS'Y	
.X ± 0.3	.X ± .012	FINISH		PART NO. (INTENDED USE)	TITLE:
.XX ± 0.15	.XX ± .006		C0006064	SATA 22P PLUG CABLE ASS'Y	
.XXX ± ----	.XXX ± ----	Q'TY		APPD: Ray 02/24/09'	DWG NO.:
<small>THESE DRAWINGS AND SPECIFICATIONS ARE THE PROPERTY OF CPU STUFF AND SHALL NOT BE REPRODUCED, COPIED OR USED IN ANY MANNER WITHOUT THE PRIOR WRITTEN CONSENT OF CPU STUFF</small>				CHKD: Andy 02/24/09'	CSH709224
				DRAW: Danile 02/24/09'	SCALE SHEET REV.